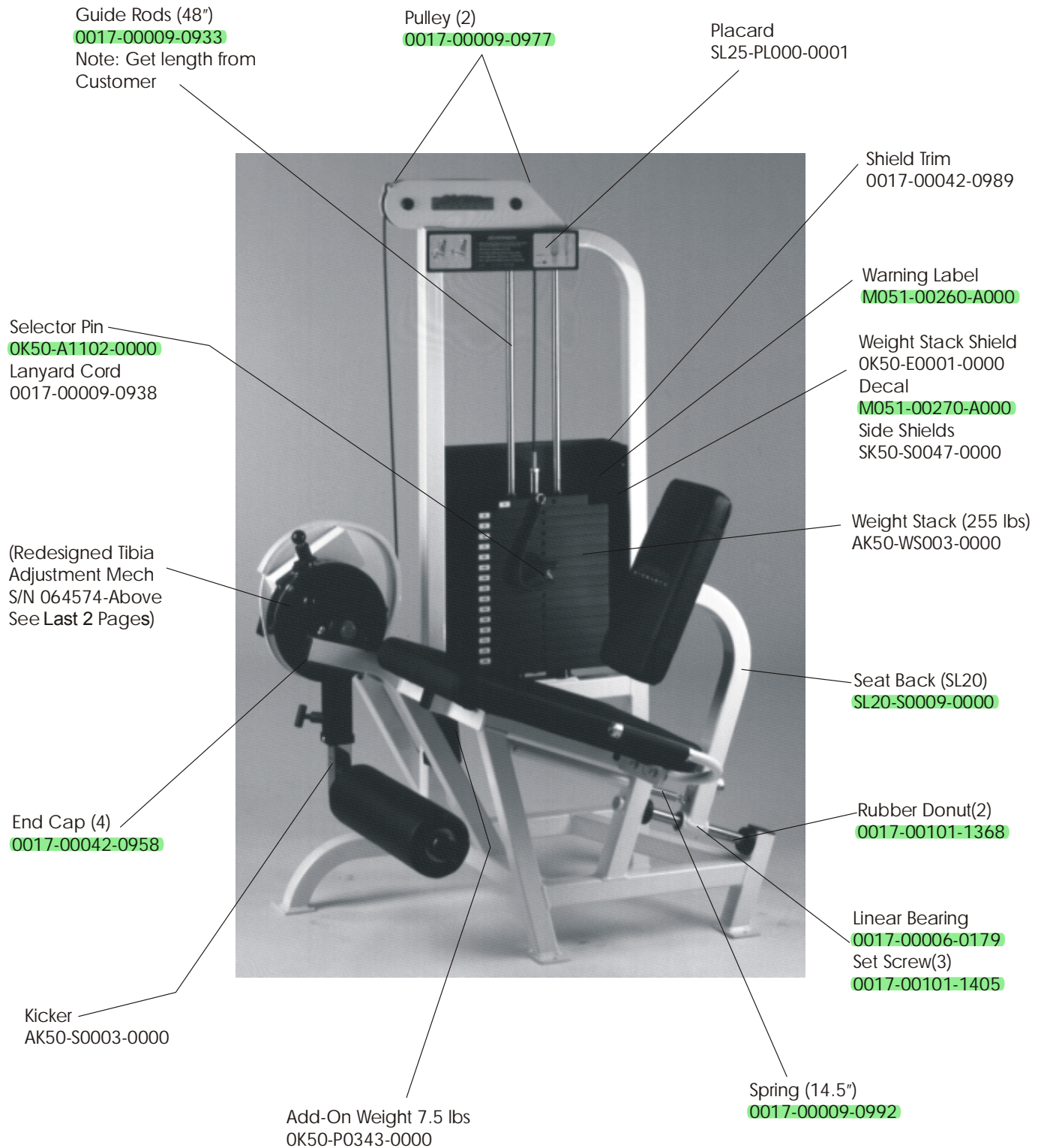


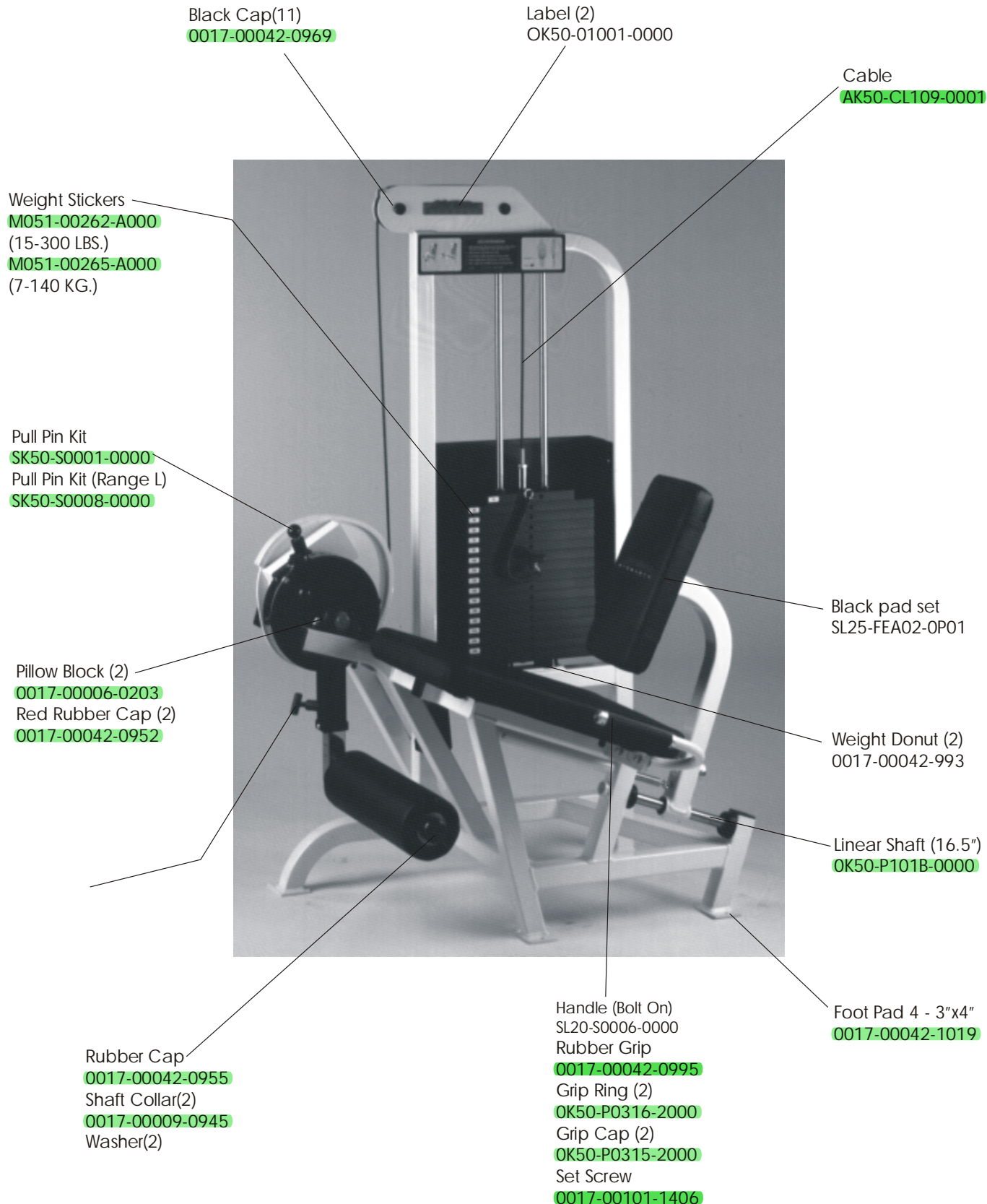
STRENGTH 9000 SERIES TRAINING EQUIPMENT

SL20/25 Leg Extension



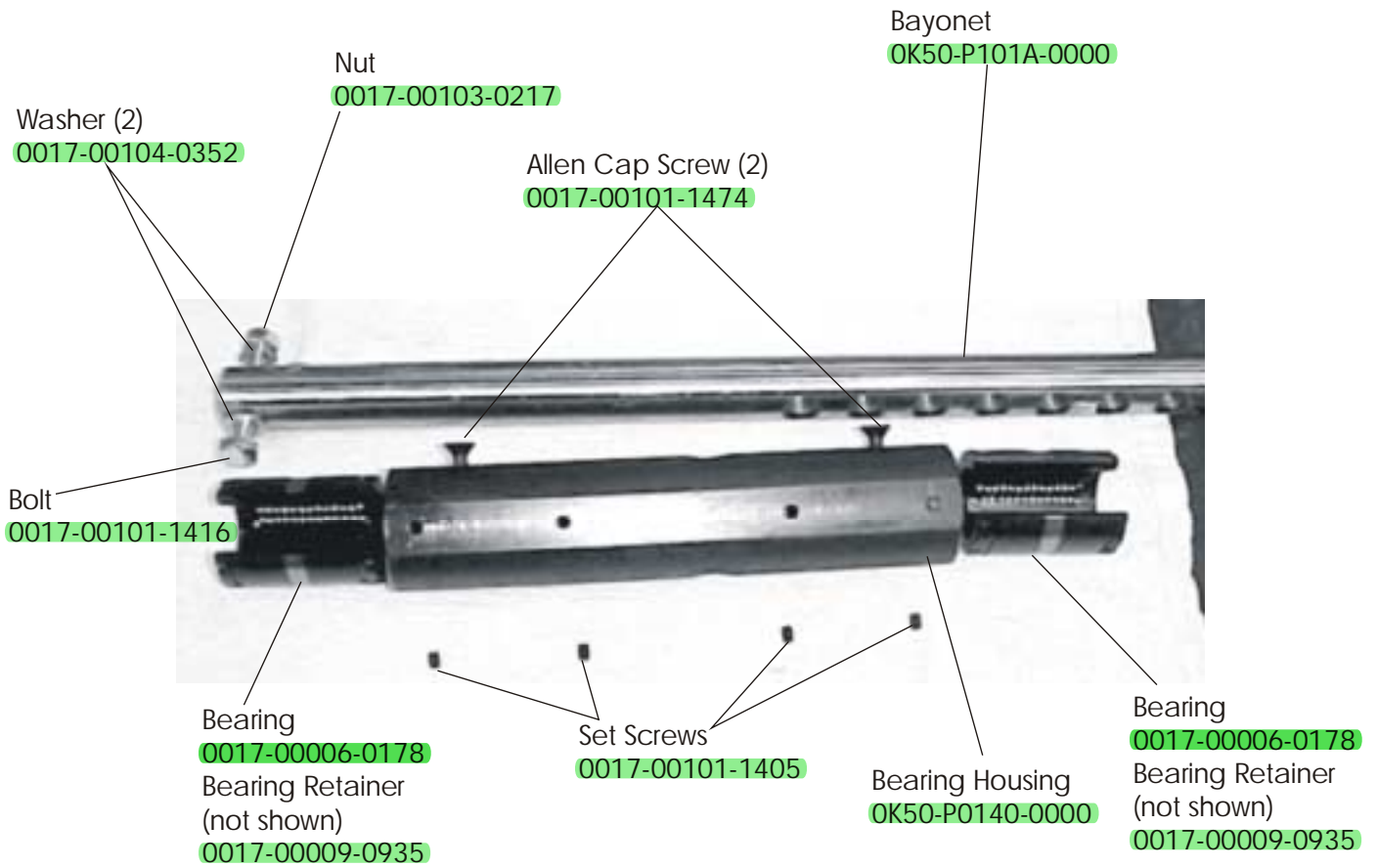
STRENGTH 9000 SERIES TRAINING EQUIPMENT

SL20/25 Leg Extension



STRENGTH 9000 SERIES TRAINING EQUIPMENT

SL20/25 Leg Extension - Under Seat Bearing Housing



STRENGTH 9000 SERIES TRAINING EQUIPMENT

SL20/25 Leg Extension - Range Limiter

Polished Hub

SL25-S0006-0000
 SL35-S0005-0000
 SL45 AK50-S0012-0000
 ST25-S0006-0000

Pull Pin Kit

SK50-S0008-0000

Shaft Collar

0017-00009-0942

3-1/4" Bolt

0017-00101-1425

Washer

0017-00104-0313

Cap Washer

0017-00104-0368

3/8" Nut

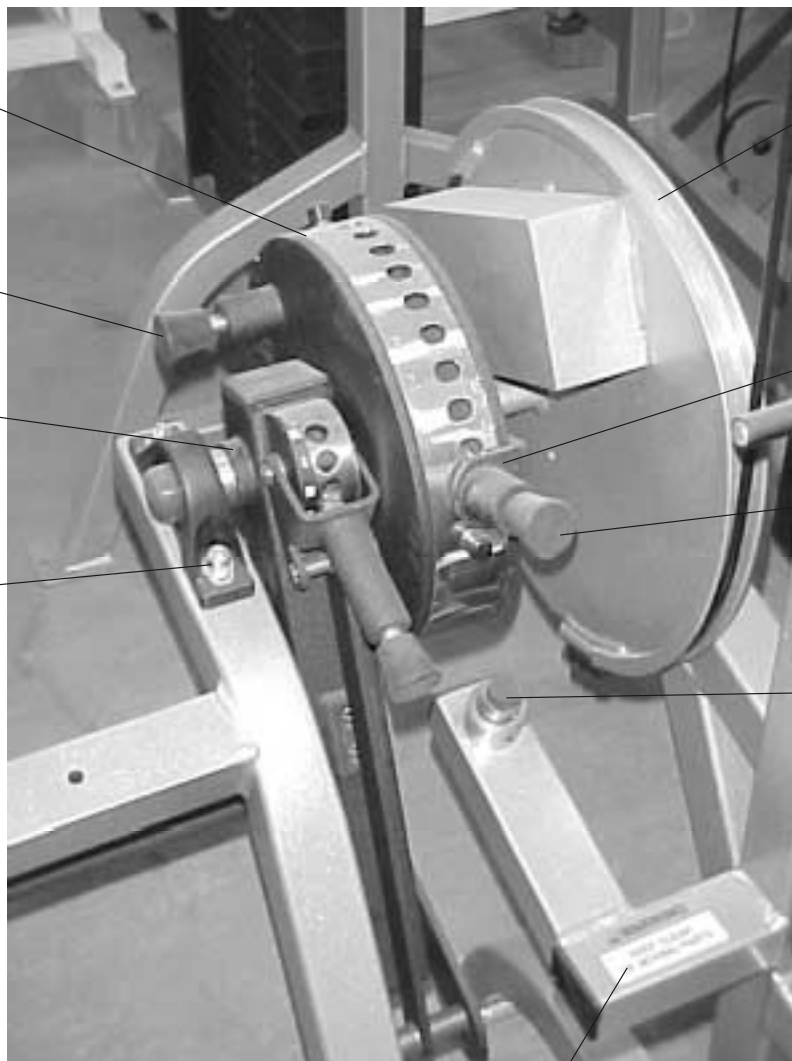
0017-00103-0229

Star Washer

0017-00009-0937

Back Cap

0017-00042-0949



Cam Assembly

SL25-S0008-0000
 SL35-S0003-0000
 SL45-S0011-0000
 ST25-S0010-0000

Common Plate

AK50-S0008-0000
 (Used on all R/L Units)

Pull Pin Kit

SK50-S0008-0000

Brass Bushing

0017-0009-0925

Machined Part

OK50-PO324-0000

Spring

0017-0009-0995

Rubber Stop

0017-00103-0265

Set Screw

0017-00101-1448

OLD STYLE Tibia (Kicker)

SL25-S0005-0000

SL35-S0004-0000

SL45-S0011-0000

ST25-S0005-0000

Small Warning Decal

M051-00293-A000

Service Bulletin



Bulletin #	Revision	Distribution	Date	Author
ST01041701	Original	<input checked="" type="checkbox"/> Domestic <input type="checkbox"/> International	April 17, 2001	Taylor

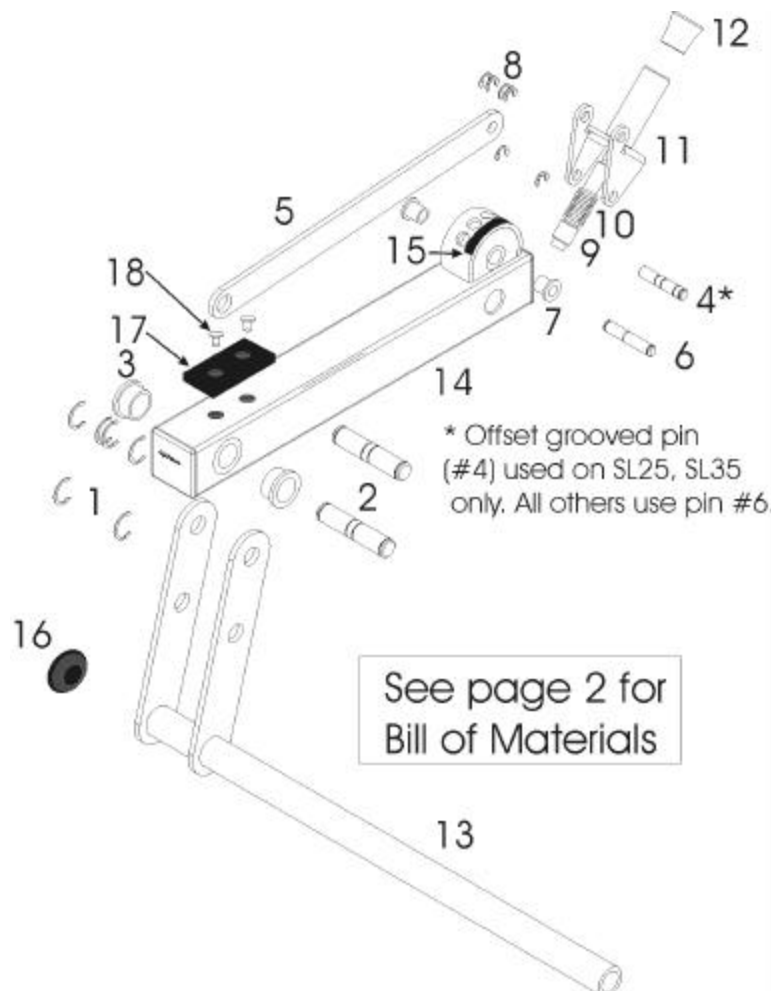
Subject: Redesigned Tibia Adjustment Mechanism

Serial Number: SL20 SN064553, SL25 SN064574, SL30 SN070587, SL35 SN070857, SL40 SN064555, SL45 SN064712, ST20 SN070509, and ST25 SN070642

Time Required: 15 min 30 min 45 min 1 hr +

Classification: Internal Dealer General

A redesigned tibia adjustment mechanism is factory installed on models and serial numbers as indicated above. Use exploded view and the corresponding parts list as necessary.

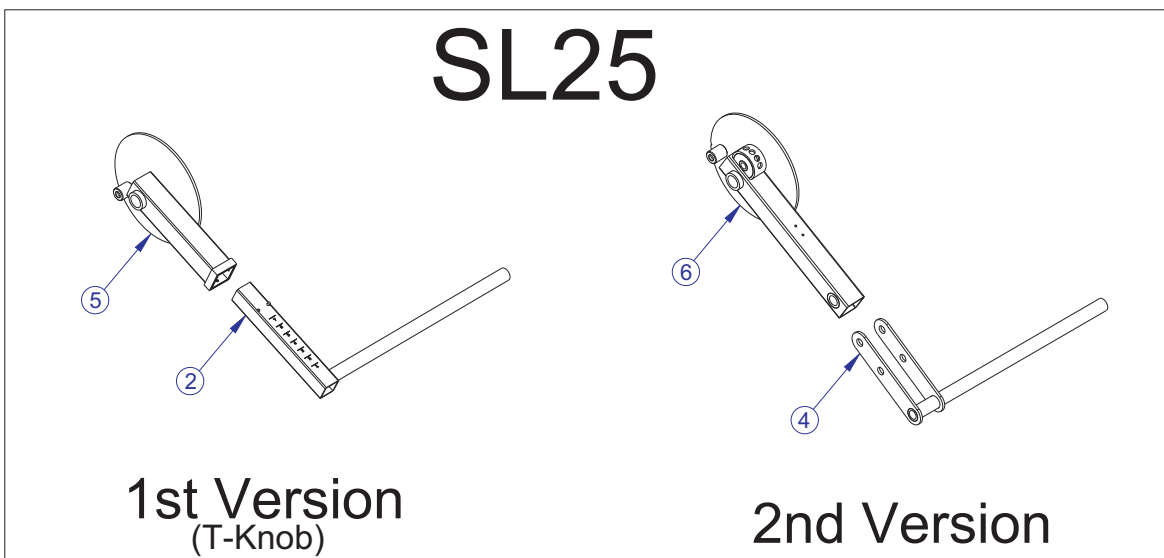
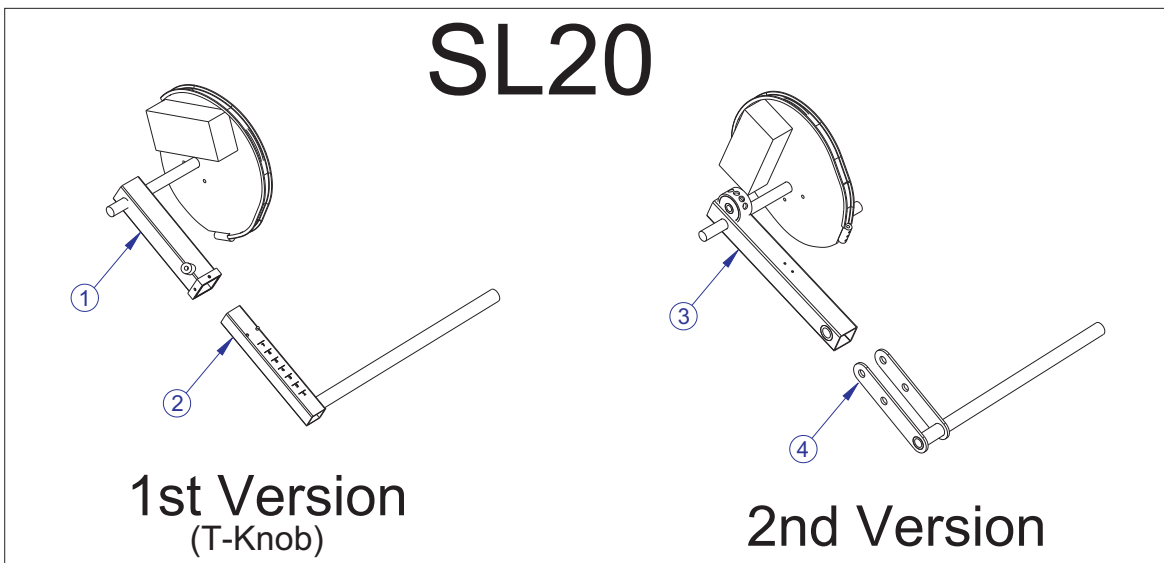


PARTS FOR TIBIA ADJUSTMENT MECHANISM

Item	Qty	Part Number	Description
1	6	0017-00100-0192	3/4" Retaining Clips
2	2	0K50-P0544-0000	3/4" Grooved Pins
3	2	0017-00009-0929	3/4" Bushings
4	1	0K50-P0582-0000	7/16" Offset Pin (SL25 and SL35)
5	1	0K50-P0573-0000	Kicker Link (SL40 and SL45)
5	1	0K50-P0553-0000	Kicker Link (SL20 and SL25)
6	1	0K50-00564-0000	7/16" Grooved Pin
7	2	0017-00009-0931	7/16" Bushings
8	6	0017-00100-0191	7/16" Retaining Clips
9	1	0K50-P0121-0000	Handle Pin
10	1	0017-00009-0994	Spring
11	1	AK50-S0030-0000	Pull Pin Bracket
12	1	0017-00009-1077	Tulip Handle
13	1	AK50-S0031-0000	Swivel Pad Mount
14	1	SL20-S0011-0000	Kicker Tube
		SL25-S0009-0000	
		SL30-S0005-0000	
		SL35-S0001-0000	
		SL40-S0014-0000	
		SL45-S0012-0000	
		ST25-S0011-0000	
		ST20-S0008-0000	
15	1	M051-00360-A000	Letter Strip (SL20 and SL25)
		M051-00362-A000	Letter Strip (SL30, SL35, SL40, SL45, ST20, ST25)
16	1	0017-00009-1091	Black Cap
17	1	0017-00042-1032	Bumper
18	2	0017-00072-0136	Rivets

STRENGTH 9000 SERIES TRAINING EQUIPMENT

SL20/SL25 Leg Extension - Workarms and Kickers



ITEM NO.	QTY.	PART NO.	DESCRIPTION
1	1	SL20-S0007-0000	SUB CAM-AXLE
2	1	AK50-S0003-0000	SUB ASSY KICKER; STRENGTH
3	1	SL20-S0011-0000	SL20 KICKER/CAM SUB
4	1	AK50-S0031-0000	ROLLER PAD ROCKER ARM
5	1	SL25-S0007-0000	SUB KICKER SELECTOR PLATE
6	1	SL25-S0009-0000	RANGE LIMITER KICKER SUB